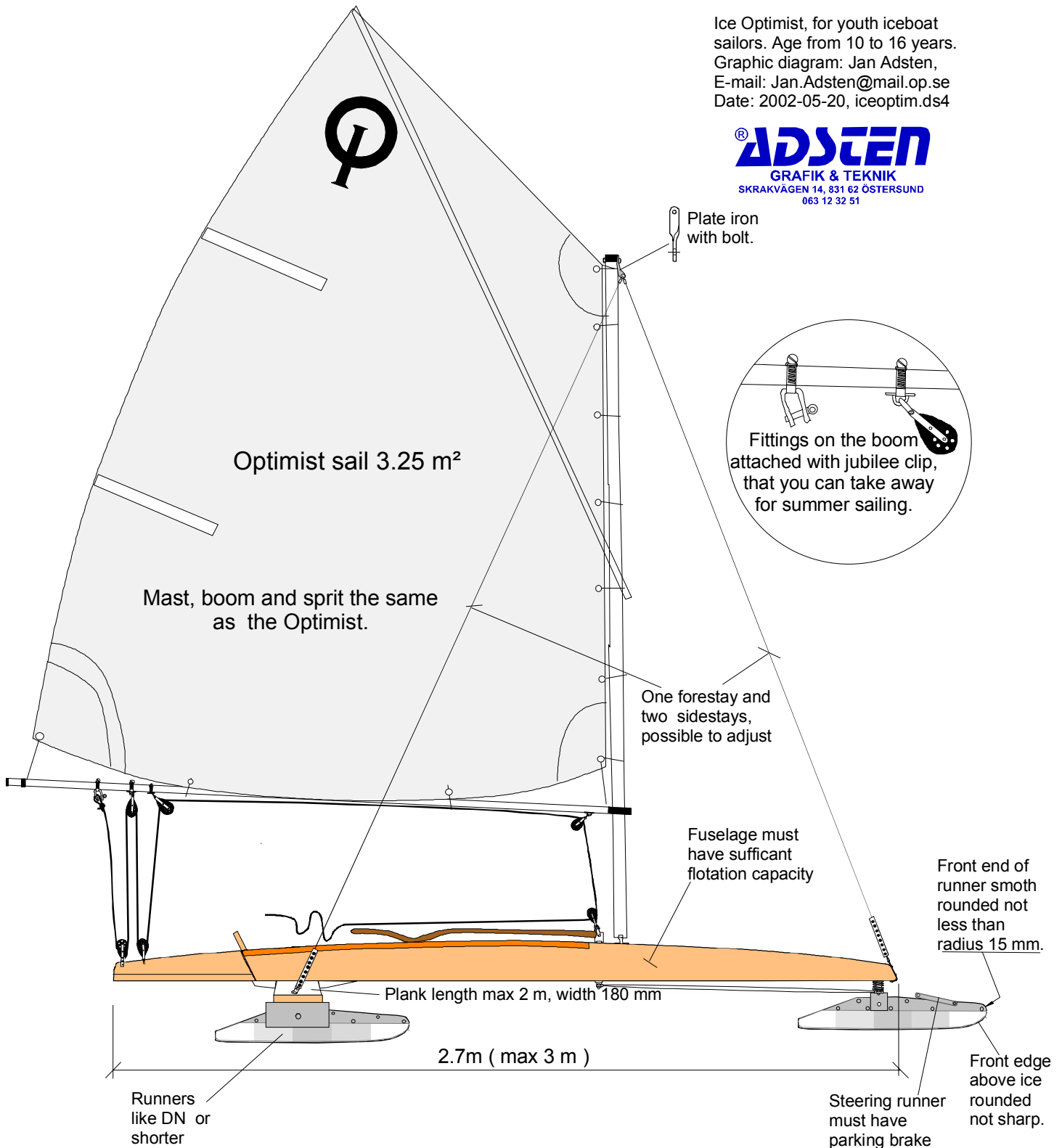


Ice Optimist, for youth iceboat sailors. Age from 10 to 16 years.
Graphic diagram: Jan Adsten,
E-mail: Jan.Adsten@mail.op.se
Date: 2002-05-20, iceoptim.ds4

ADSTEN
GRAFIK & TEKNIK
SKRAKVÄGEN 14, 831 62 ÖSTERSUND
063 12 32 51



Ice Optimist

youth-iceboat

Approved by IDNIYRA Europe 2002-04-21

Ice Optimist class-rules

Approved by IDNIYRA Europe 2002-04-21

- 1. Fuselage** - construction and design is optional, maximum length 3000 mm including hardware, the width is optional. Material, wood or laminate. Fuselage must have sufficient flotation capacity. A complete Ice Optimist must float in open water. Steering - optional construction, technically acceptable, without looseness. Minimum weight including hardware 12 kg.
- 2. Plank** - maximum length 2000 mm, maximum width 180 mm. Material optional; metal pipe, wood or laminate. Minimum weight including hardware 5 kg.
- 3. Sail** - as Optimist class, the cloth is optional.
- 4. Mast, boom and sprit** - the same as Optimist class.
- 5. Rigging** - one forestay and two sidestays, possible to adjust. Number and type of sheet blocks is optional.
- 6. Runners** - the length can be shorter than DN-class runners, but not longer. Minimum runner thickness 3mm. Steering runner must have parking brake. Front end of runner smooth rounded not less than radius 15 mm. Front edge above ice rounded not sharp, to prevent a sailor from being cut in a collision.

Ice Optimist

youth-iceboat

Fuselage - construction and design is optional, maximum length 3000 mm including hardware, the width is optional. Material, wood or laminate.
 Fuselage must have sufficient flotation capacity.
 A complete Ice Optimist must float in open water.
 Steering - optional construction, technically acceptable, without looseness.
 Minimum weight 12 kg.

1

2700 (max 3000)

4 **Mast, boom and sprit** - the same as Optimist class.

3 **Sail** - as Optimist class, the cloth is optional

max 2000

2 **Plank** - maximum length 2000 mm, maximum width 180 mm, material optional, metal pipe, wood or laminate. Minimum weight 5 kg.

5 **Rigging** - one forestay and two sidestays, possible to adjust. Number and type of sheet blocks is optional

6 **Runners** - the length can be shorter than DN-class runners, but not longer. Minimum runner thickness 3 mm. Steering runner must have parking brake. Front end of runner smooth rounded not less than radius 15 mm, front edge above ice rounded not sharp, to prevent a sailor from being cut in a collision.

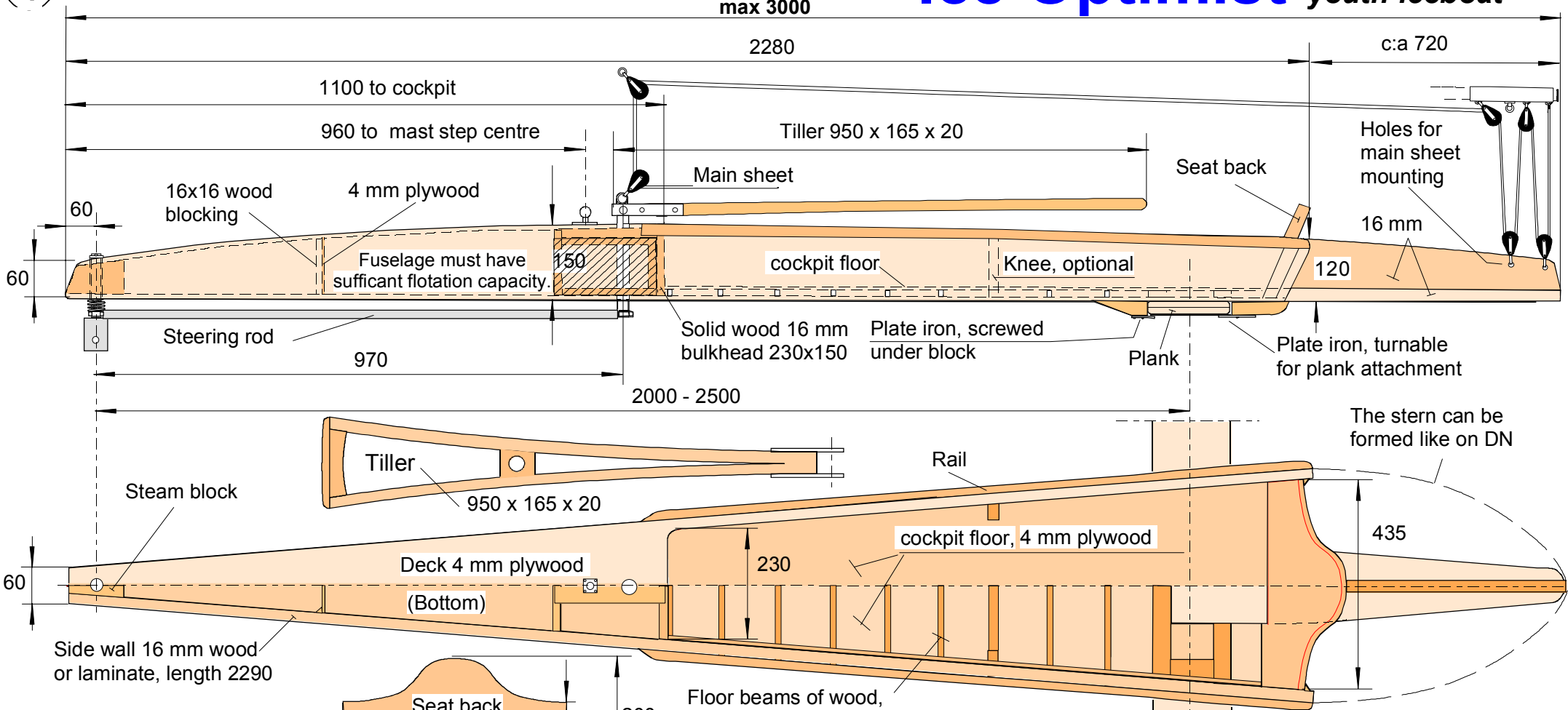
max 180

Ice Optimist,
 youth iceboat.
 Drawn by: J. Adsten
 Date: 2002-05-20
 Doc: iceoptim.ds4

Ice Optimist youth-iceboat

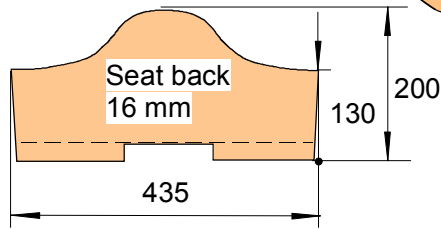
1 FUSELAGE

(This design, simple to build, from Västerås and Ludvika, Sweden is used as an example for the official plans)



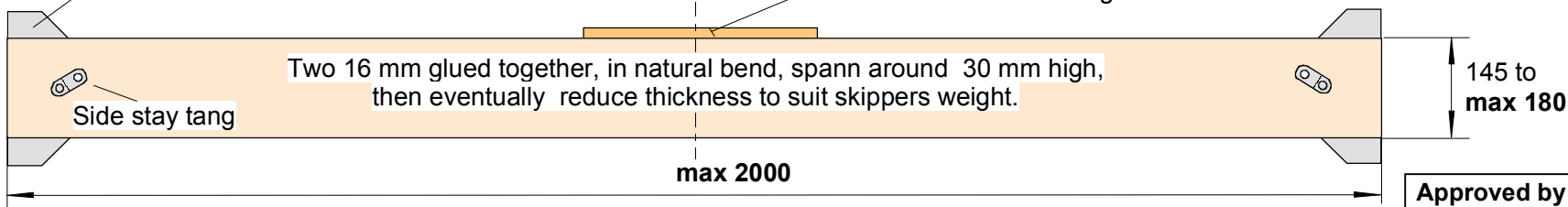
2 PLANK

Chock same as DN or little shorter.



Floor beams of wood, even a whole sheet of styro foam can be glued between the two layers of plywood

To lock plank sideways between the blocks under fuselage



Ice Optimist, youth iceboat
Scale: 1:10
Drawn by: J. Adsten
Date: 2002-10-03
Doc: iceoptim.ds4

ADSTEN
GRAFIK & TEKNIK
SKRAKVÄGEN 14, 831 62 ÖSTERSUND
063 12 32 51

Approved by IDNIYRA Europe 2002-04-21

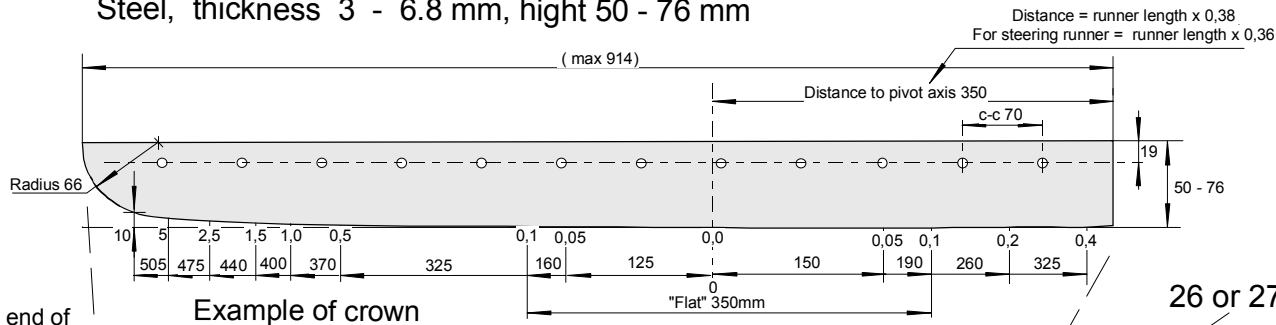
⑥ RUNNERS, partly from DN-class

Ice Optimist

youth-iceboat

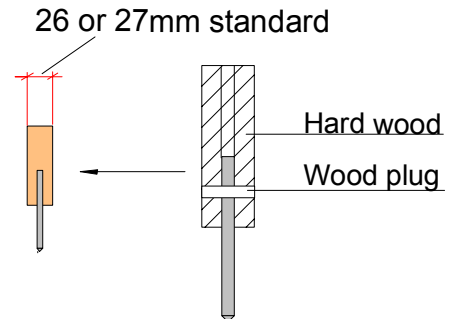
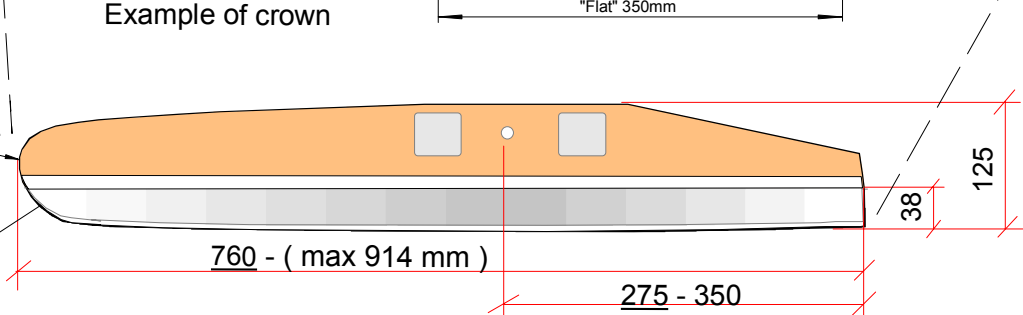
INSERT RUNNER

Steel, thickness 3 - 6.8 mm, height 50 - 76 mm



Front end of runner smooth rounded not less than radius 15 mm.

Front edge above ice rounded not sharp.



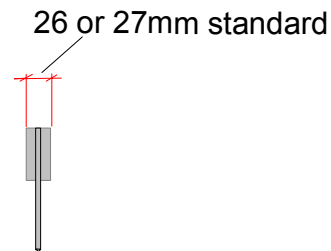
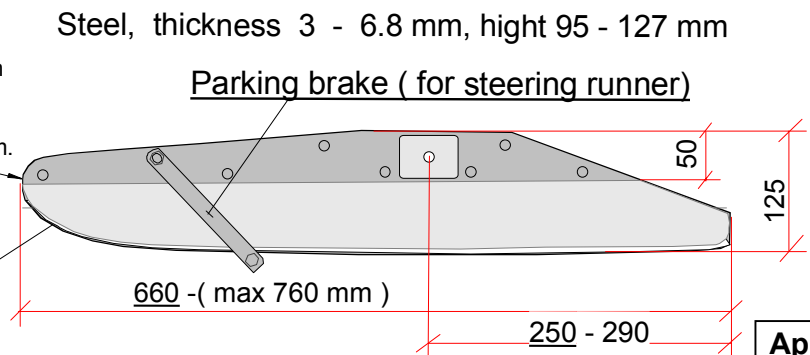
Both of this specs. are designed to prevent, sharp leading edges on runners, witch might cut a sailor in a collision.

PLATE RUNNER

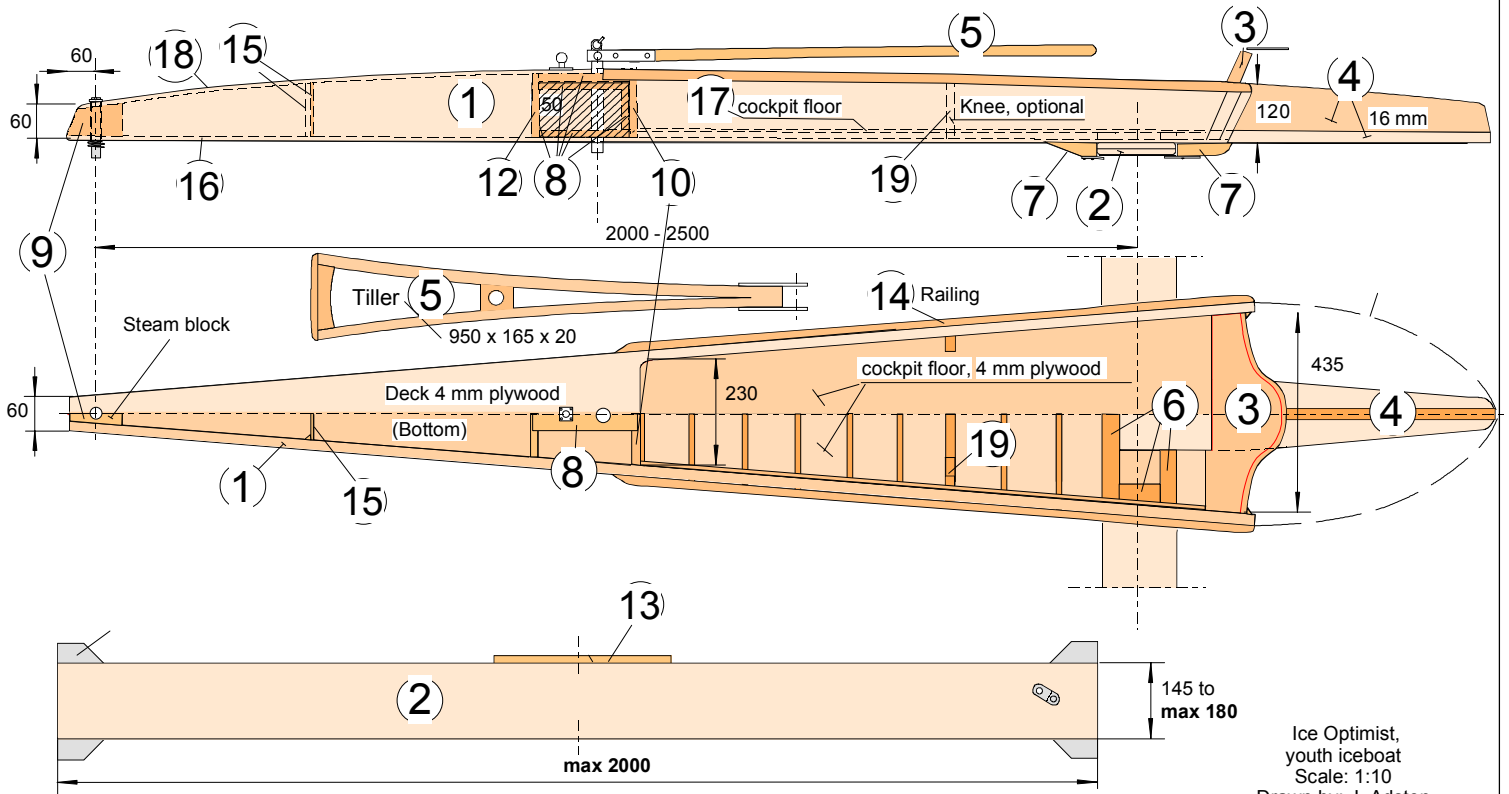
Steel, thickness 3 - 6.8 mm, height 95 - 127 mm

Front end of runner smooth rounded not less than radius 15 mm.

Front edge above ice rounded not sharp.



Ice Optimist,
youth iceboat.
Drawn by: J. Adsten
Date: 2002-05-21
Doc: iceoptim.ds4



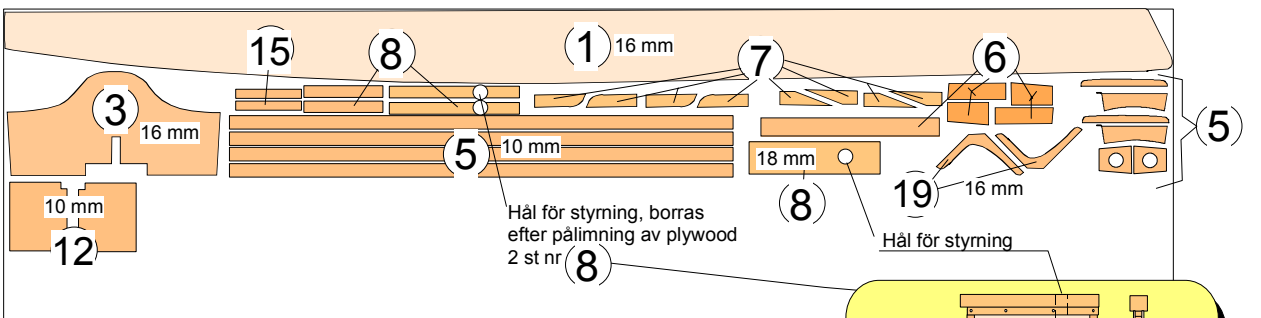
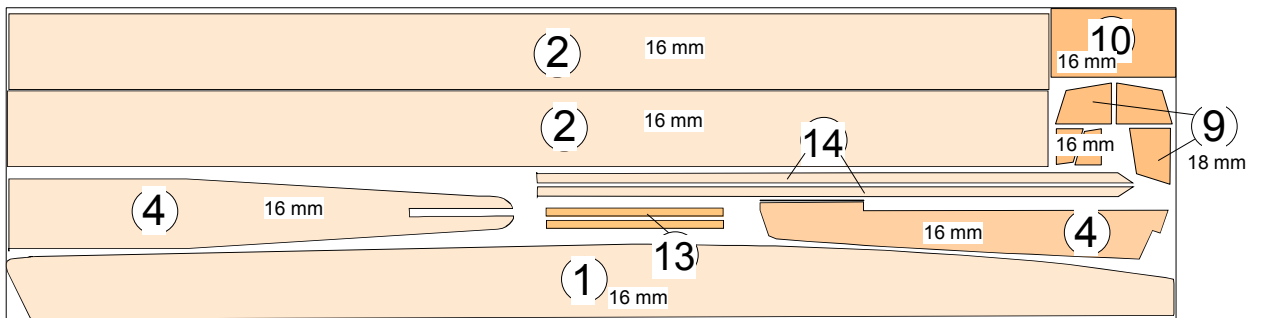
Ice Optimist,
youth iceboat
Scale: 1:10
Drawn by: J. Adsten
Date: 2002-10-07
Doc: iceoptim.ds4



UTBREDNING AV DETALJER

2 x 16 mm, limmas ihop, hängande upp och ned mellan mellan två bockar, en i vardera änden, så att ett spann på 40-45 på mitten mäts upp, för att ge 30 mm spann när tvingarna öppnas.

Limfog gran, 18 mm kan hyvlas ned till 16 mm



Plywood 4 mm

